



Intellia Wireless Carbon Monoxide (CO) Sensor INT-Gas-01

General Description

The Wireless Carbon Monoxide (CO) sensor allows you to monitor the level of carbon monoxide (CO) gas in the surrounding air.

Intellia wireless CO sensors have a small footprint and low cost but boast industry standard setting, premium performance specifications and are the longest lifetime sensors in the industry (powered by a coin cell battery and last over a year at 1 hour heartbeat)

- Measures CO levels in surrounding air.



Free Intellia basic online wireless sensor monitoring and notification system to configure sensors, view data and set alerts via SMS text and email.

Principle of Operation

The Wireless Carbon Monoxide (CO) Sensor measures the amount of CO gas in the surrounding air. The sensor returns carbon monoxide level and temperature values to the Intellia Online Sensor Monitoring and Notification System. The system stores both data points in the online system where the data can be reviewed and exported as a data sheet or graph. Notifications can be set up through the online system to alert the user when defined CO levels have been met or exceeded.

Example Applications

- Gas ranges and ovens
- Gas clothes dryers
- Furnaces
- Fireplaces
- Grills
- Space heaters
- Vehicles
- Water heaters

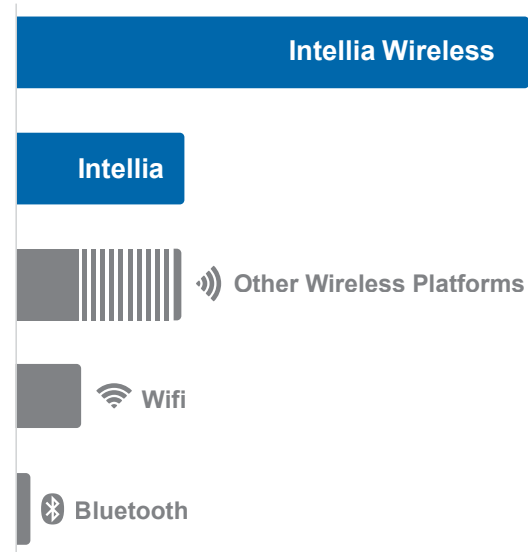
And many more...

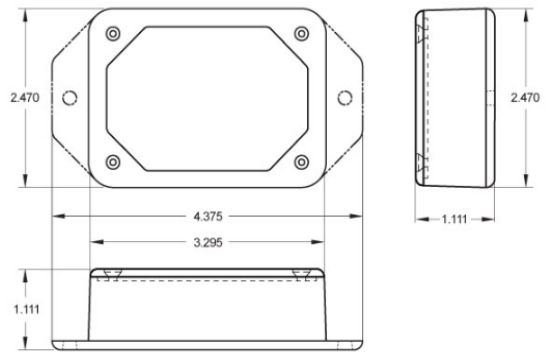
Features of Intellia Wireless CO Sensors

- Wireless range of 1,200+ feet through 12+ walls *
- Frequency-Hopping Spread Spectrum (FHSS)
- Improved interference immunity
- Improved power management for longer battery life ** (12+ years on AA batteries)
- Encrypt-RF® Security (Diffie-Hellman Key Exchange + AES-128 CBC for sensor data messages)
- Onboard data memory stores up to 512 readings per sensor:
 - 10-minute heartbeats = 3.5 days
 - 2-hour heartbeats = 42 days
- Over-the-air updates (future proof)
- Free Intellia basic online wireless sensor monitoring and notification system to configure sensors, view data and set alerts via SMS text and email

- * Actual range may vary depending on environment.
- ** Battery life is determined by sensor reporting frequency and other variables. Other power options are also available.

Wireless Range Comparison





| Intellia Commercial AA Wireless Carbon Monoxide Sensor Technical Specifications | |
|---|--|
| Supply Voltage | 2.0 - 3.6 VDC (3.0 - 3.6 VDC Using Power Supply) * |
| Current Consumption | 0.7 μ A (sleep mode) 2 mA (radio idle/off mode) 2 mA (measurement mode) 25 mA (radio RX mode) 35 mA (radio TX mode) |
| Operating Temperature Range (Board Circuitry and Batteries) | -30°C to 55°C (-20°F to 130°F) using alkaline -40°C to 85°C (-40°F to 185°F) using lithium |
| Optimal Battery Temperature Range (AA) | +10°C to +50°C (+50°F to +122°F) |
| Operating Pressure Range | \pm 0.2 atm (recommended) |
| Operating Humidity Range | 15 to 95% RH |
| Measuring Range | 0-1000 PPM |
| Maximum Overload | 1000 PPM |
| Measuring Principle | Electrochemical Oxidation of CO |
| Resolution | \pm 1 PPM |
| Response Time (t-90) | < 40 seconds typical at 20°C |
| Stabilization Time | < 120 seconds |
| Long Term Drift – Zero | Zero Signal \leq \pm 2 PPM / month |
| Long Term Drift – Span | Output Signal \leq \pm 2% of reading per month |
| Maximum Zero Shift | < 8 ppm equivalent (-20°C to +40°C) |
| Weight | 4.0 oz. |
| Wireless Range | 1,200+ ft. non-line-of-sight |
| Certifications | 900 MHz product; FCC ID: ZTL- RFSC1 and IC: 9794A-RFSC1. 920 MHz product; ARIB STD-T108 R210-103733. 868 and 433 MHz product tested and found to comply with: CISPR 22:2008-09 / EN 55022:2010 - Class B and ETSI EN 300 220-2 V2.4.1 (2012-05). |

* Circuits cannot withstand negative voltage. Please take care when installing batteries.

** Accuracy is based at typical operating temperature and pressure (25 degrees C and 1 Atmosphere (sea level))

Power Options

The standard version of this sensor is powered by two replaceable 1.5 V AA sized batteries (included with purchase).

This sensor is also available with a line power option. The line powered version of this sensor has a barrel power connector allowing it to be powered by a standard 3.0–3.6 V power supply. The line powered version also uses two standard 1.5 V AA batteries as backup for uninterrupted operation in the event of line power outage.

Power options must be selected at time of purchase, as the internal hardware of the sensor must be changed to support the selected power requirements.

Commercial Grade Sensors

Intellia commercial grade sensors are designed for applications in ordinary environments (normal room temperature, humidity and atmospheric pressure). Do not use these sensors under the following conditions as these factors can deteriorate the product characteristics and cause failures and burnout.

- Corrosive gas or deoxidizing gas: chlorine gas, hydrogen sulfide gas, ammonia gas, sulfuric acid gas, nitric oxides gas, etc.
- Volatile or flammable gas
- Dusty conditions
- Low-pressure or high-pressure environments
- Wet or excessively humid locations
- Places with salt water, oils chemical liquids or organic solvents
- Where there are excessively strong vibrations
- Other places where similar hazardous conditions exist

Use these products within the specified temperature range. Higher temperature may cause deterioration of the characteristics or the material quality.